

SIMAG

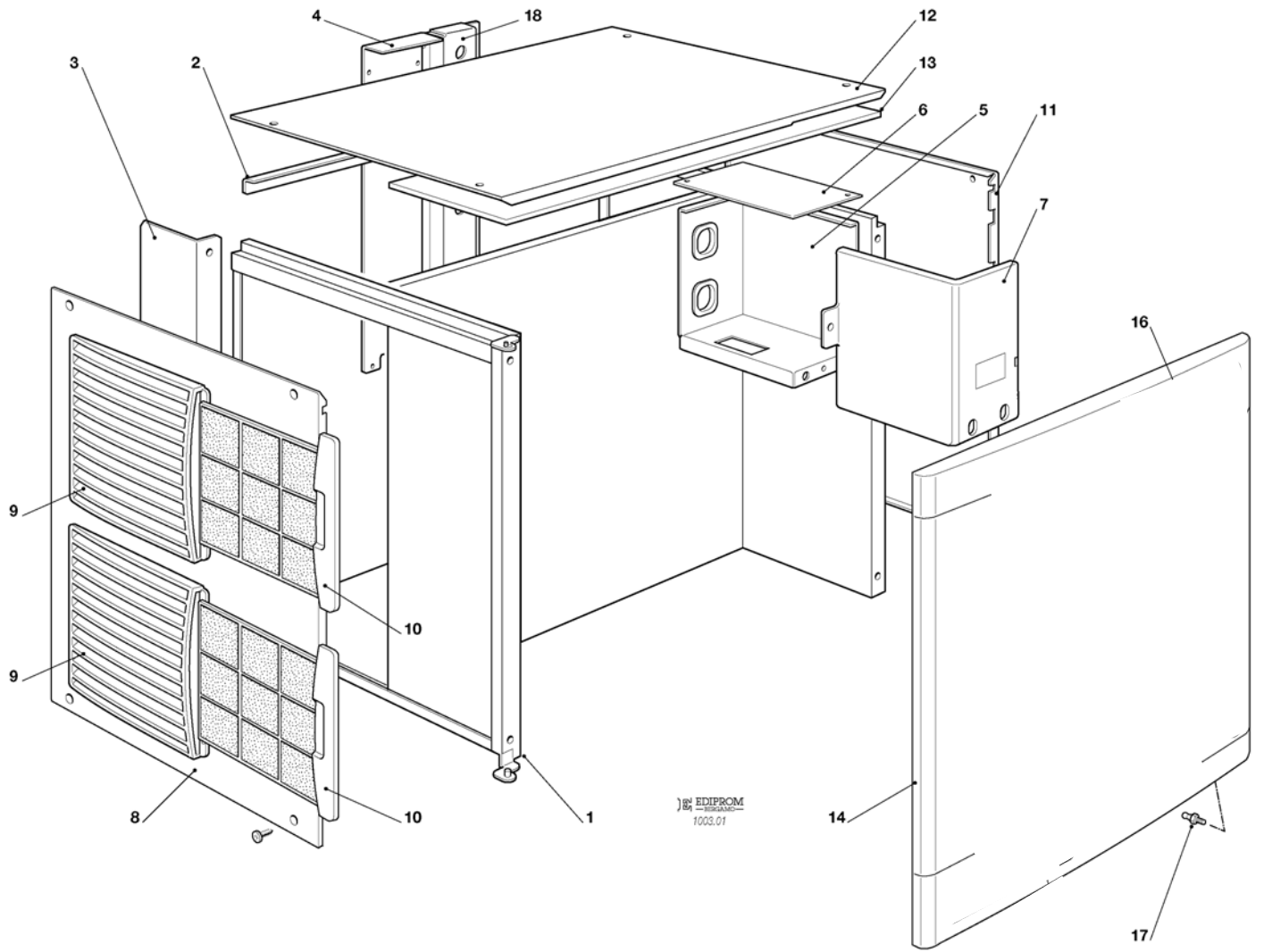
ELECTRONIC MODULAR CUBER

SV 205

**SPARE PARTS LIST
CATALOGO RICAMBI
CATALOGUE PIÈCES DÉTACHÉES
ERSATZTEILENKATALOG**

Spare Parts Catalogue SV 205

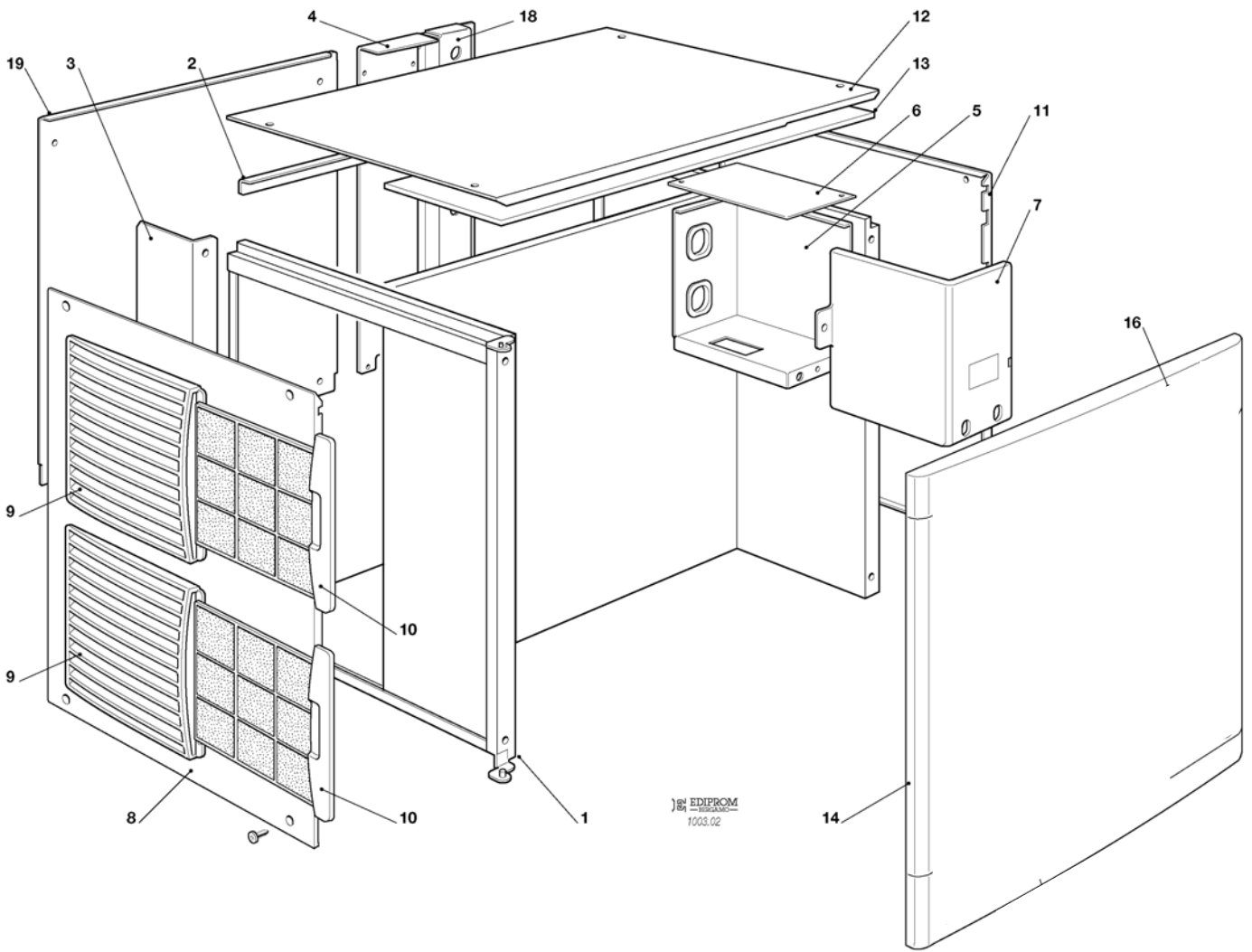
- 1 - UNIT PANELS - AIR COOLED
- 2 - UNIT PANELS - WATER COOLED
- 3 - REFRIGERANT SYSTEM AIR COOLED
- 4 - REFRIGERANT SYSTEM WATER COOLED
- 5 - WATER SYSTEM
- 6 - P.C. BOARD AND SENSORS ASSY



1 - UNIT PANELS - AIR COOLED VERSION

1 - UNIT PANELS - AIR COOLED

| POSITION | CODE | DESCRIPTION |
|----------|-------------|-------------------------|
| 0001 | CM 81454420 | UNIT FRAME |
| 0002 | CM 25753313 | METAL BRACKET |
| 0003 | CM 25620483 | AIR BAFFLE |
| 0005 | CM 25160730 | CONTROL BOX |
| 0006 | CM 25160729 | CONTROL BOX TOP |
| 0007 | CM 25160731 | CONTROL BOX COVER |
| 0008 | CM 81455131 | LEFT SIDE PANEL ASSY |
| 0009 | 02004224 01 | PLASTIC LOUVER PANEL |
| 0010 | 02004212 01 | PLASTIC FILTER |
| 0011 | CM 25330877 | RIGHT SIDE PANEL |
| 0012 | CM 81454463 | TOP PANEL ASSY |
| 0013 | CM 25410110 | INSULATION |
| 0014 | CM 81454484 | FRONT PANEL ASSY |
| 0016 | CM 19262786 | LABEL, MONITORING PANEL |
| 0017 | CM 19520104 | METAL PIN |
| 0018 | CM 25725605 | WATER HOOK UP PANEL |



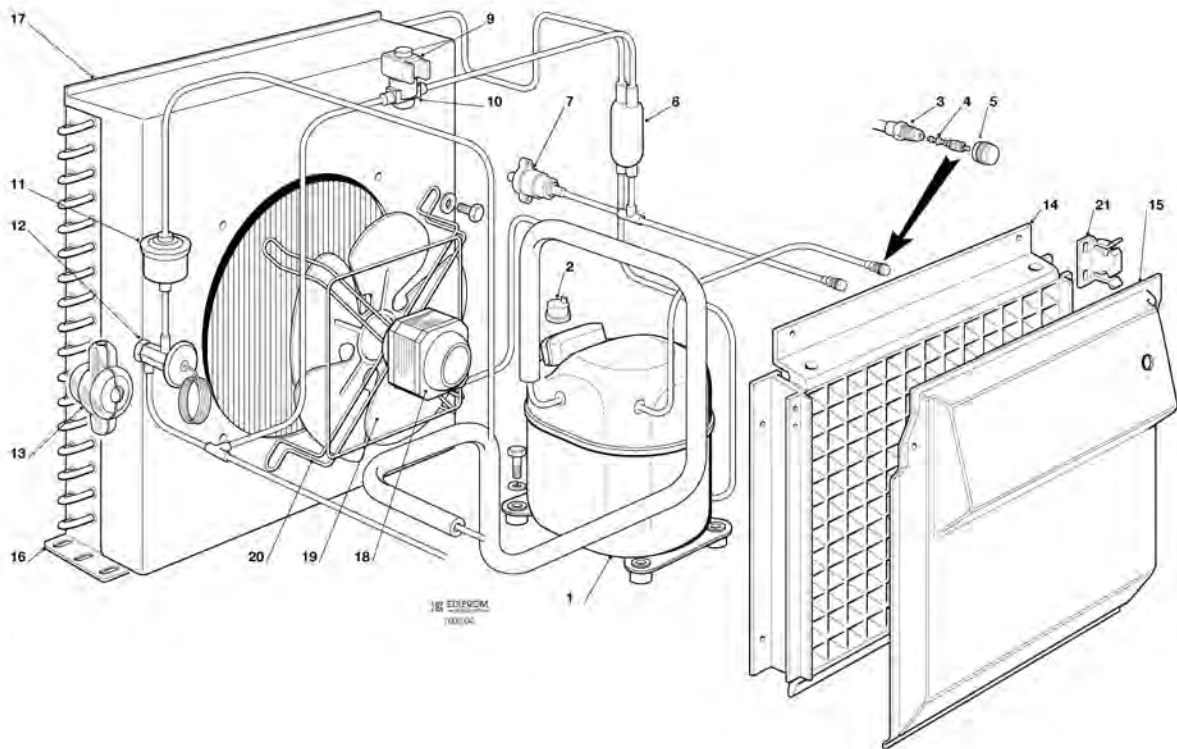
EDIPROM
1003.02

1 - UNIT PANELS - WATER COOLED VERSION

2 - UNIT PANELS - WATER COOLED

| POSITION | CODE | DESCRIPTION |
|----------|-------------|-------------------------|
| 0001 | CM 81454420 | UNIT FRAME |
| 0002 | CM 25753313 | METAL BRACKET |
| 0003 | CM 25620483 | AIR BAFFLE |
| 0005 | CM 25160730 | CONTROL BOX |
| 0006 | CM 25160729 | CONTROL BOX TOP |
| 0007 | CM 25160731 | CONTROL BOX COVER |
| 0008 | CM 81455131 | LEFT SIDE PANEL ASSY |
| 0009 | 02004224 01 | PLASTIC LOUVER PANEL |
| 0010 | 02004212 01 | PLASTIC FILTER |
| 0011 | CM 25330877 | RIGHT SIDE PANEL |
| 0012 | CM 81454463 | TOP PANEL ASSY |
| 0013 | CM 25410110 | INSULATION |
| 0014 | CM 81454484 | FRONT PANEL ASSY |
| 0016 | CM 19262786 | LABEL, MONITORING PANEL |
| 0018 | CM 25725605 | WATER HOOK UP PANEL |
| 0019 | CM 25550900 | BACK PANEL |

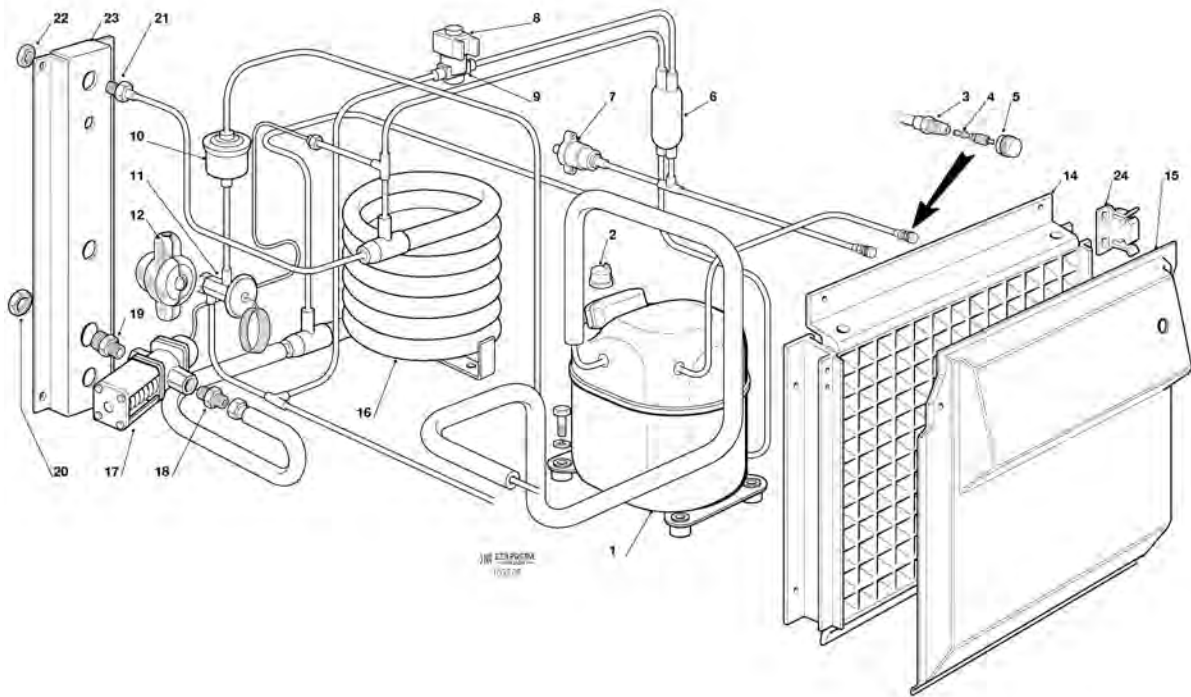
3 - REFRIGERANT SYSTEM AIR COOLED



3 - REFRIGERANT SYSTEM AIR COOLED

| POSITION | CODE | DESCRIPTION |
|----------|-------------|--------------------------------|
| 0001 | 670099 04 | COMPRESSOR - 230/50/1 |
| 0002 | 620058 78 | PROTECTOR MST 000ALKD |
| 0003 | 650109 00 | VALVE BODY |
| 0004 | 670012 00 | VALVE CORE |
| 0005 | 650106 00 | CAP |
| 0007 | CM 81453749 | HI PRESSURE CONTROL |
| 0008 | CM 19301268 | MECHANICAL FILTER |
| 0009 | 060689 00 | HOT GAS VALVE COIL - 230/50-60 |
| 0010 | CM 19863034 | HOT GAS VALVE ASSY - 230/50-60 |
| 0011 | CM 19300357 | FILTER |
| 0012 | CM 19870402 | TXV |
| 0013 | CM 25410096 | TXV INSULATION |
| 0014 | CM 81455116 | EVAPORATOR DICE |
| 0014 | CM 81455117 | EVAPORATOR HALFDICE |
| 0015 | CM 81455120 | PLASTIC CURTAIN |
| 0016 | CM 19177100 | CONDENSER |
| 0017 | CM 25156590 | SHROUD |
| 0018 | CM 18562524 | FAN MOTOR - 230/50-60 |
| 0019 | CM 18740042 | FAN BLADE |
| 0020 | CM 25726513 | FAN BRACKET |
| 0021 | CM 25726473 | DEFLECTOR BRACKET |

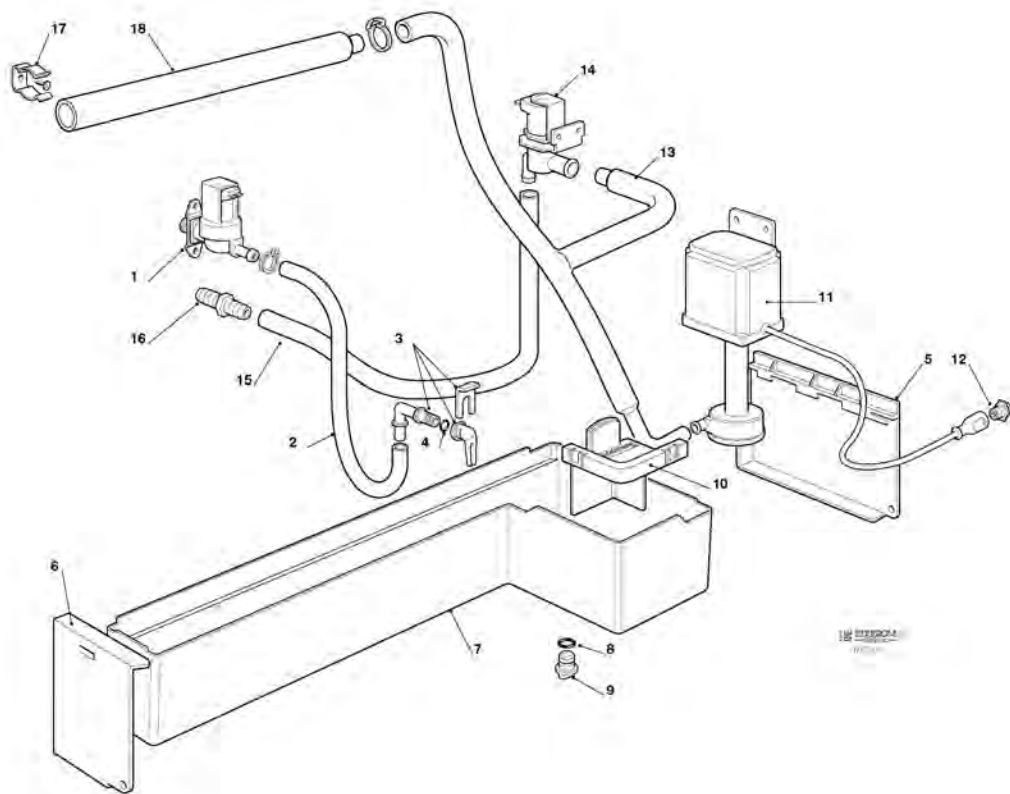
4 - REFRIGERANT SYSTEM WATER COOLED



4 - REFRIGERANT SYSTEM WATER COOLED

| POSITION | CODE | DESCRIPTION |
|----------|-------------|--------------------------------|
| 0001 | 670099 04 | COMPRESSOR - 230/50/1 |
| 0002 | 620058 78 | PROTECTOR MST 000ALKD |
| 0003 | 650109 00 | VALVE BODY |
| 0004 | 670012 00 | VALVE CORE |
| 0005 | 650106 00 | CAP |
| 0006 | CM 19301268 | MECHANICAL FILTER |
| 0007 | CM 81453749 | HI PRESSURE CONTROL |
| 0008 | 060689 00 | HOT GAS VALVE COIL - 230/50-60 |
| 0009 | CM 19863034 | HOT GAS VALVE ASSY - 230/50-60 |
| 0010 | CM 19300357 | FILTER |
| 0011 | CM 19870402 | TXV |
| 0012 | CM 25410096 | TXV INSULATION |
| 0014 | CM 81455116 | EVAPORATOR DICE |
| 0014 | CM 81455117 | EVAPORATOR HALFDICE |
| 0015 | CM 81455120 | PLASTIC CURTAIN |
| 0017 | 620111 00 | WATER REGUL. VALVE |
| 0018 | CM 25631045 | FITTING |
| 0019 | CM 25631047 | FITTING |
| 0020 | CM 25250105 | NUT |
| 0021 | CM 25631039 | WATER FITTING-IN |
| 0024 | CM 25726473 | DEFLECTOR BRACKET |

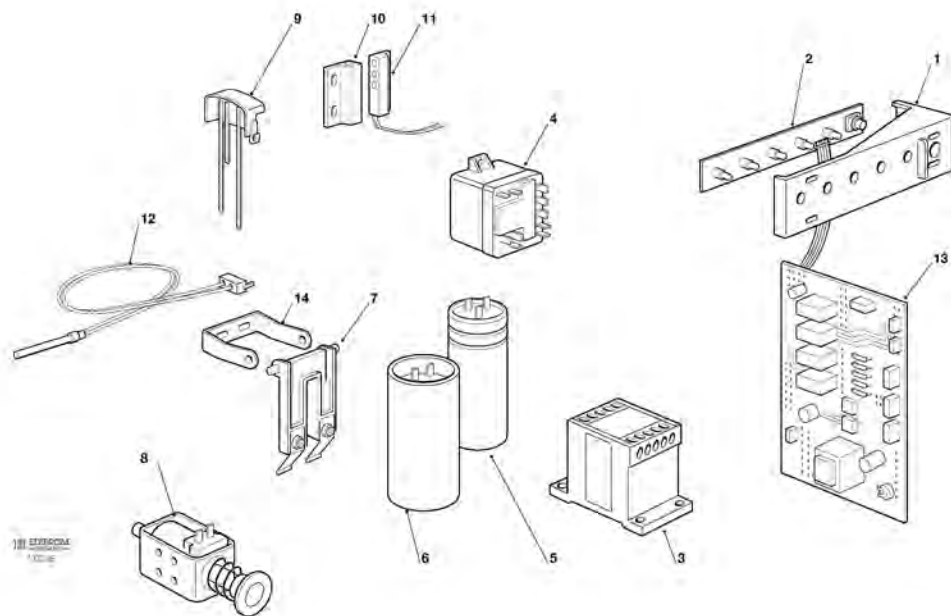
5 - WATER SYSTEM



5 - WATER SYSTEM

| POSITION | CODE | DESCRIPTION |
|----------|-------------|---------------------------|
| 0001 | 650105 54 | INLET VALVE - 230/50 - 60 |
| 0002 | CM 25792026 | HOSE |
| 0003 | 793172 00R | WATER INLET ELBOW ASSY |
| 0004 | 640041 31 | O RING |
| 0005 | CM 25725606 | RIGHT PLASTIC BRACKET |
| 0006 | CM 25725607 | LEFT PLASTIC BRACKET |
| 0007 | CM 25820132 | WATER SUMP |
| 0008 | CM 41020448 | GASKET |
| 0009 | CM 25730503 | DRAIN PLUG |
| 0010 | CM 25725591 | PLASTIC COVER |
| 0011 | CM 81454131 | WATER PUMP ASSY |
| 0012 | CM 81453915 | POWER SOCKET |
| 0013 | CM 25790074 | HOSE |
| 0014 | CM 19865598 | PURGE VALVE |
| 0015 | CM 25790072 | PLASTIC HOSE |
| 0016 | CM 25690807 | DRAIN FITTING, WATER |
| 0017 | CM 25474608 | METAL CLIP |
| 0018 | CM 81453460 | SPRAY SYSTEM |

6 - P.C. BOARD AND SENSORS ASSY



1000000000
1000000000

6 - P.C. BOARD AND SENSORS ASSY

| POSITION | CODE | DESCRIPTION |
|----------|-------------|--------------------------------|
| 0001 | CM 81453668 | LED HOLDER |
| 0002 | CM 33580151 | MONITOR PANEL |
| 0003 | CM 33730712 | CONTACTOR |
| 0004 | 620057 46 | RELAY - 230/50 |
| 0005 | 620167 21 | CAPACITOR - 15 MFD/400V |
| 0006 | 620167 00 | START CAPACITOR 88-108MFD/330V |
| 0007 | CM 81453434 | SENSOR, ICE THICKNESS |
| 0008 | CM 19270501 | HARVEST ASSIST SOLENOID |
| 0009 | 0A039030 21 | WATER LEVEL SENSOR |
| 0009 | CM 81455102 | WATER LEVEL SENSOR HARNESS |
| 0010 | CM 19355007 | MAGNET |
| 0011 | CM 33210019 | MAGNET SWITCH |
| 0012 | CM 33580101 | CONDENSER SENSOR |
| 0013 | CM 33580250 | CONTROLLER |
| 0014 | CM 25725450 | SENSOR SYST. BRKT |



SIMAG

Via Pascoli, 22 - 20010 Pogliano Milanese (Milano) Italy
Tel. +39 02 93900215 (Commerciale - Sales Dept.)
Tel. +39 02 93960357 (Assistenza - Service Dept.)
Fax +39 02 93900226 (Commerciale - Sales Dept.)
Fax +39 02 93960366 (Assistenza - Service Dept.)
E-mail: sales@simag.it • service@simag.it
www.simag.it

