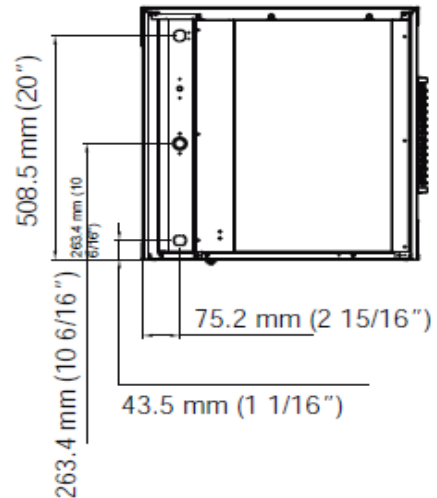
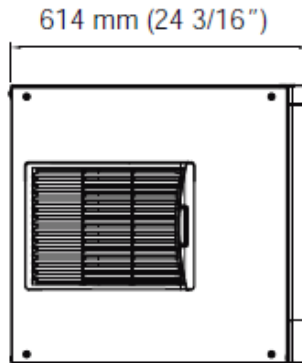
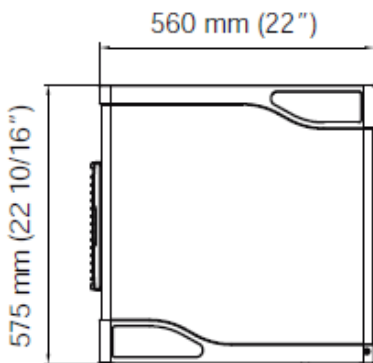


Simag SV145 (Head Only) - 136kg production



SPECIFICATION



DIMENSIONS

Width 560 mm
 Depth 620 mm
 Height 575 mm
 Height with bin 1800mm

PLUMBING CONNECTIONS

10 amp 1 metre power lead 508.5 mm
 $\frac{3}{4}$ " Water Inlet 263.4 mm
 20mm Water Outlet Gravity 43.5 mm
 (If using Frostline bin Drain outlet 125mm *base)